

N078 SERIES

N Series: Deadbolt Door & Drawer Cabinet/Furniture Locks

SPECIFICATIONS

Keying: Can be keyed together with other N Series locks

Rekeyable: Easily rekeyable via set screw cylinder release mechanism

US Patent Nos: 4,899,563; 4,920,774

Standard function: Key removable in locked or unlocked position.

Door locks: Can be reversed between left and right hand.

Body: Zinc die cast

Cylinder: Solid brass, pin tumbler

Cylinder length: 1-1/8" or 1-3/8"

Barrel diameter: 7/8"

Finish: 26D or US4

Packaged: Packed 10 per box

KEYING INFORMATION

Keyway: N Series (equivalent to National D4291 4-pin or D4292 5-pin system)

Keys: Includes 2 keys per lock

Stock keying: KD/KA - 4 pin standard

Stock KA#: 101, 103, 107, 915

Masterkeyed: 5 pin standard

Grand masterkeyed: Available

Keyblank 4-pin: KBN-4-NP (equivalent to NA14, 1069L)

Keyblank 5-pin: KBN-5-NP (equivalent to NA12, 1069LA)

OPTIONAL ACCESSORIES

Spacers: WP21 (3/32" thick), WP22 (1/4" thick), WP23 (1/2" thick)

Strikes: 07S, 56-1, 12-1, 12-2, 12-3, 12-4 strikes

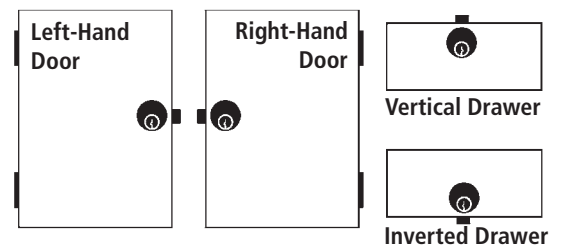
Trim collar: TR1256

Optional drawer bolt: 078-LB1-DW long bolt with 1/2" offset (drawer only)

Optional door bolt: 078-LB-DR 1/4" straight long bolt (door only)

Through-bolt hardware: ETS3 trim plate and ETST3 template

HANDING CHART



N078

Function: Drawer lock

Extended offset bolt: Specify -LB option at time of order.



US26D finish



US4 finish

N078L

Function: Cabinet door lock (left-hand)

Extended bolt: Specify -LB option at time of order.



US26D finish



US4 finish

N078R

Function: Cabinet door lock (right-hand)

Extended bolt: Specify -LB option at time of order.



US26D finish



US4 finish

N078 SERIES

N Series: Deadbolt Door & Drawer Cabinet/Furniture Locks

OPTIONAL ACCESSORIES - See our website for a complete list of optional components.

Internal plastic spacers

- WP21 3/32" thick plastic spacers
- WP22 1/4" thick plastic spacers
- WP23 1/2" thick plastic spacers

Strikes

- 12-1, 12-2, 12-3, 12-4, 075

Trim Ring

- TR1256 trim ring

Extended bolt

- 15-1-35 (see below for installed dimensions)



WP21



WP23



WP22



TR1256

Through-bolt plate

External metal 1/8" through-bolt plate allows for an attractive flush mounting of the cabinet lock face. Available in US3 or US26D finish.

- ETS3 through-bolt plate, 1/8" thick



ETS3

Through-bolt plate template

Allows for proper mounting hole placement of through-bolt plate. Can be used as a 1/8" shim spacer. Available in US3 and US26D finish.

- ETST3 through-bolt plate template

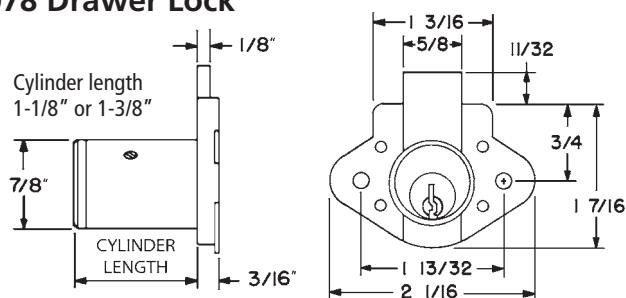


ETST3

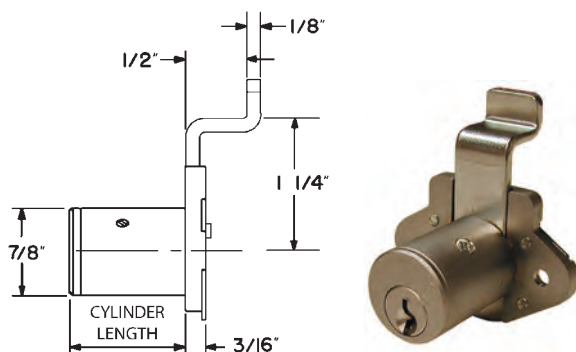
U.S. Patent No. D490,686

DIMENSIONS

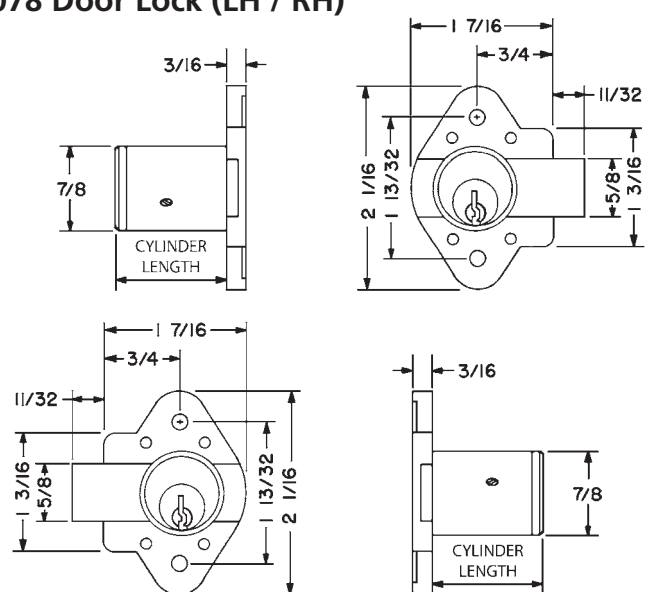
N078 Drawer Lock



Extended bolt option for drawer lock



N078 Door Lock (LH / RH)



Extended bolt option for door lock

Extends overall bolt length by an additional 1/8". Reversible for use with LH or RH locks.

